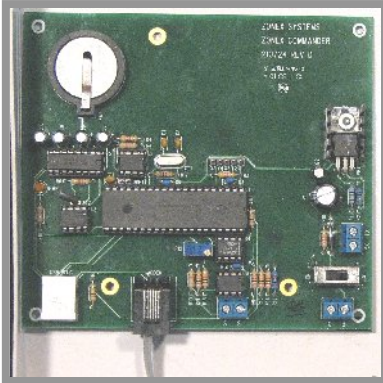


ZNXPlus COMMAND CENTER

SUBMITTAL



DESCRIPTION

The Zonex Systems **ZNXPlus** Command Center is a microprocessor based, digital communicating controller for the **ZonexCommander (Plus)** control systems. The ZNXPlus is the primary controller pkg, which includes cables, outside air sensor, and system operating software. The ZNXPlus will communicate and control up to 4 RMODs within 20 communicating devices which include: ModStat, MODS2, DIGICOM and DIGIHP thermostats, and RLYCOM communicating relay modules.

The ModStat thermostats control power open, power close medium pressure and heavy duty dampers for modulating systems. The MODS2 thermostats control power close, spring open low pressure, 2-position dampers. The RLYCOM modules are used to control building lighting, blowers, etc. for Occupied and Unoccupied (ON-OFF) schedules.

The Command Center can be set up for direct serial or USB connection to a Laptop or Desktop computer using Windows 7, XP or Vista operating systems. For applications requiring Internet or Ethernet connection, the optional TCIP Network Device can be installed.

The Command Center not only communicates with the control devices, but also maintains the current day, date and time; Occupied/Unoccupied and vacation schedules; and control device name IDs. All this information is stored in non-volatile memory including backup battery for the time and day.

Through the system operating software the Command Center provides the ability for temperature trend logging for all of the thermostats. Trend logging is designed to be used with a direct connected computer or TCIP Network.



ZNXPlus **ZonexCommander (Plus)** Command Center Communicating Controller

TECHNICAL DATA

Electrical:

Supply Voltage: 24vac

Power consumption: 3 VA maximum

Inputs:

- 5V DC analog OA temperature sensor
- 1- RS-232 computer serial connection port
- 1- RS-232 USB connection port
- 1- RS-485 communication link terminal strip RX TX
- 24vac power

Environmental:

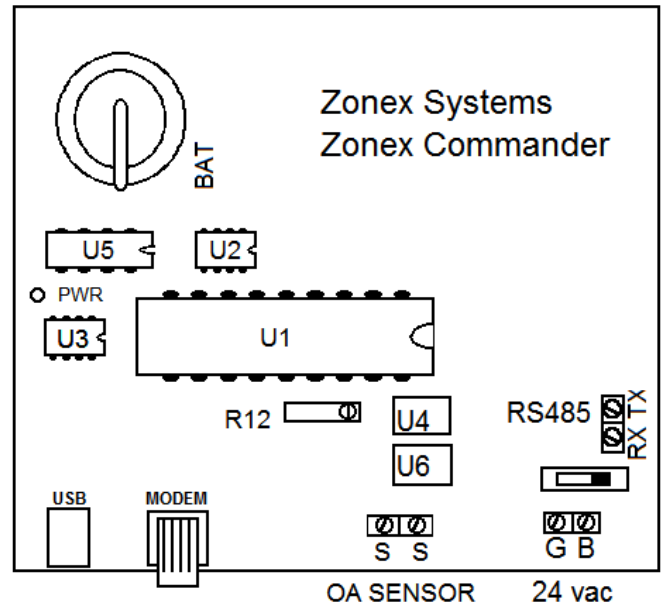
Operating temperature: 25 to 125° F (0 to 71° C)

Operating humidity: 5-95%, non-condensing

Enclosure:

NEMA 1

7 1/4" H x 10 7/8" W x 3" D



Rev 12/16/10